

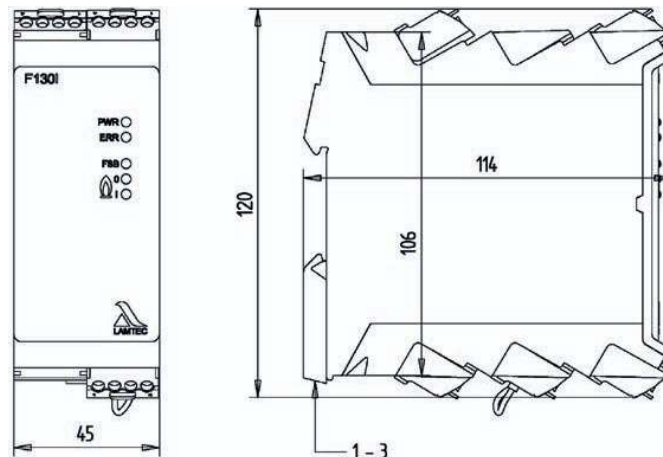
# Flame Monitoring Device F130I.

## Technical data



Flame monitoring device F130I

Item number	659G1001 (230 VAC) 659G1002 (120 VAC)	Dimensions [mm]	See dimensional drawings
Application	Monitoring of flames (ignition or main flame) using the ionisation method.	Material	Plastic
Power supply voltage	230 VAC +10% -15% or 120 VAC +10% -20%	Weight [kg]	0.5
Power consumption	≤ 10 VA	Protection class	IP20
Output contact status signal	Not safety-oriented, potential-free contact	Ambient temperature	- 20 ... + 60 °C
Flame signal output contact	Safety-oriented floating contact	Approval	UL, CE, SIL 3, UKCA
FFDT (Flame failure detection time)	230 V 1 s 120 V 3 s		



Dimensional Drawing F130I